



TS391/A/B/C

LINEAR INTEGRATED CIRCUIT

LOW POWER SINGLE VOLTAGE COMPARATOR

DESCRIPTION

The UTC **TS391/A/B/C** consists of a low power voltage comparator designed specifically to operate from a single supply over a wide range of voltages. Operation from split power supplies is also possible.

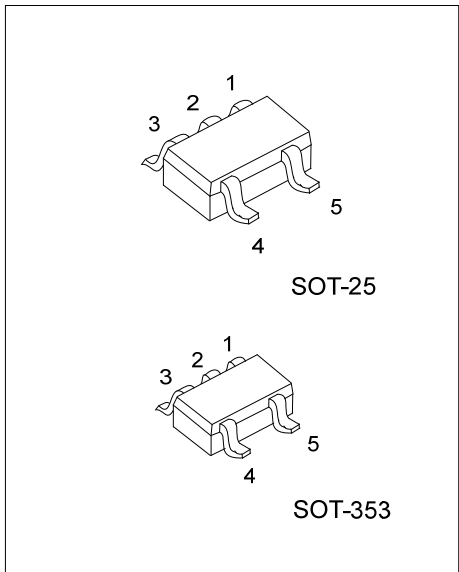
This comparator also has a unique characteristic in that the input common-mode voltage range includes ground even though operated from a single power supply voltage.

FEATURES

- * Wide single supply voltage range or dual supplies +2V~+36V or $\pm 1V \sim \pm 18V$
- * Very low supply current (0.2mA) independent of supply voltage (1mW /comparator at +5V)
- * Low input bias current: 25nA typ.
- * Low input offset current: $\pm 5nA$ typ.
- * Low input offset voltage: $\pm 1mV$ typ
- * Input common-mode voltage range includes ground.
- * Low output saturation voltage: 250mV typ. ($I_{OUT}=4mA$).
- * Differential input voltage range equal to the supply voltage.
- * TTL, DTL, ECL, CMOS Compatible outputs.

ORDERING INFORMATION

Ordering Number		Package	Packing
Lead Free	Halogen Free		
TS391L-AF5-R	TS391G-AF5-R	SOT-25	Tape Reel
TS391AL-AF5-R	TS391AG-AF5-R	SOT-25	Tape Reel
TS391BL-AF5-R	TS391BG-AF5-R	SOT-25	Tape Reel
TS391CL-AF5-R	TS391CG-AF5-R	SOT-25	Tape Reel
TS391L-AL5-R	TS391G-AL5-R	SOT-353	Tape Reel
TS391AL-AL5-R	TS391AG-AL5-R	SOT-353	Tape Reel
TS391BL-AL5-R	TS391BG-AL5-R	SOT-353	Tape Reel
TS391CL-AL5-R	TS391CG-AL5-R	SOT-353	Tape Reel



<p>TS391L-AF5-R</p>	<p>(1) Packing Type</p> <p>(2) Package Type</p> <p>(3) Lead Free</p>	<p>(1) R: Tape Reel</p> <p>(2) AF5: SOT-25, AL5: SOT-353</p> <p>(3) G: Halogen Free, L: Lead Free</p>
---------------------	--	---

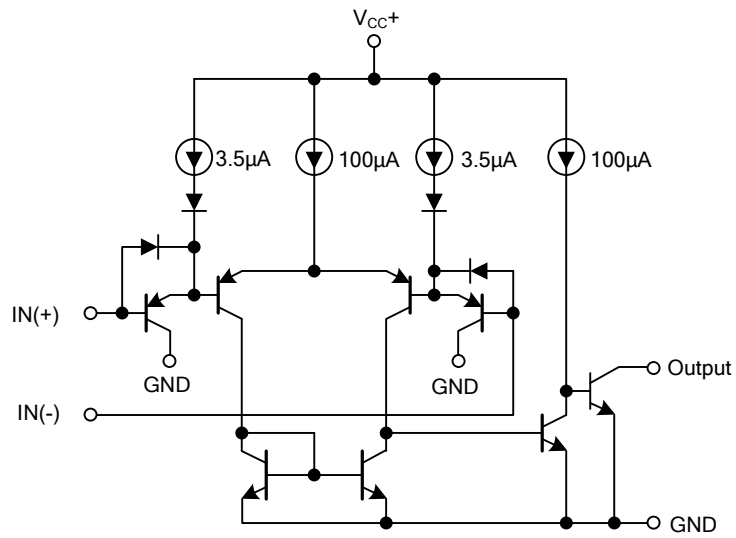
■ MARKING

TS391	TS391A
TS391B	TS391C

■ PIN CONNECTIONS (top view)

TS391	TS391A
TS391B	TS391C

■ BLOCK DIAGRAM



■ ABSOLUTE MAXIMUM RATINGS

PARAMETER	SYMBOL	RATING	UNIT
Supply Voltage	V_{CC}	± 18 or 36	V
Differential Input Voltage	$V_{I(DIFF)}$	± 36	V
Input Voltage	V_{IN}	-0.3 ~ +36	V
Output Short-Circuit to Ground (Note 2)		Infinite	
Power Dissipation	P_D	500	mW
Junction Temperature	T_J	150	$^{\circ}C$
Operating Temperature	T_{OPR}	-40 ~ +125	$^{\circ}C$
Storage Temperature	T_{STG}	-65 ~ +150	$^{\circ}C$

- Notes: 1. Absolute maximum ratings are those values beyond which the device could be permanently damaged. Absolute maximum ratings are stress ratings only and functional device operation is not implied.
 2. Short-circuit from the output to V_{CC} can cause excessive heating and eventual destruction. The maximum output current is approximately 20mA, independent of the magnitude of V_{CC} .

■ THERMAL DATA ($T_J=150^{\circ}C$, $T_A=25^{\circ}C$)

PARAMETER	SYMBOL	RATING	UNIT
Junction to Ambient	θ_{JA}	250	$^{\circ}C/W$

■ ELECTRICAL CHARACTERISTICS

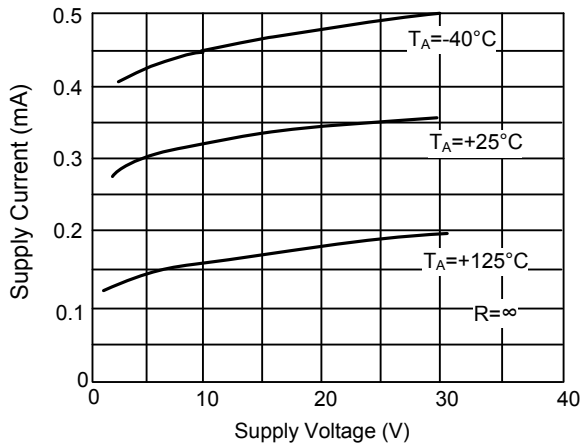
($V_{CC}=5.0V$, All voltage referenced to GND, $T_A=25^{\circ}C$, unless otherwise specified)

PARAMETER	SYMBOL	TEST CONDITIONS	MIN	TYP	MAX	UNIT
Input Offset Voltage (Note 1)	$V_{I(OFF)}$	$T_A=+25^{\circ}C$		1	5	mV
		$T_{MIN} \leq T_A \leq T_{MAX}$			9	mV
Differential Input Voltage (Note 4)	$V_{I(DIFF)}$				V_{CC}	V
Large Signal Voltage Gain	G_V	$V_{CC}=15V, R_L=15k, V_{OUT}=1 \sim 11V$	50	200		V/mV
Input Common Mode Voltage Range (Note 3)	$V_{I(CM)}$	$T_A=+25^{\circ}C$	0		$V_{CC}-1.5$	V
		$T_{MIN} \leq T_A \leq T_{MAX}$	0		$V_{CC}-2$	V
Low Level Output Voltage	V_{OL}	$V_{I(DIFF)}=1V, V_{CC}=V_{OUT}=30V$	$T_A=+25^{\circ}C$	250	400	mV
			$T_{MIN} \leq T_A \leq T_{MAX}$			700
Input Bias Current (Note 2)	$I_{I(BIAS)}$	$T_A=+25^{\circ}C$		25	250	nA
		$T_{MIN} \leq T_A \leq T_{MAX}$			400	nA
Input Offset Current	$I_{I(OFF)}$	$T_A=+25^{\circ}C$		5	50	nA
		$T_{MIN} \leq T_A \leq T_{MAX}$			150	nA
Supply Current	I_{CC}	$V_{CC}=5V, \text{no load}$		0.2	0.5	mA
		$V_{CC}=30V, \text{no load}$		0.5	1.25	mA
Output sink current	I_{SINK}	$V_{I(DIFF)}=-1V, V_{OUT}=1.5V$	6	16		mA
High Level Output Current	I_{OH}	$V_{I(DIFF)}=1V, V_{CC}=V_{OUT}=30V$	$T_A=+25^{\circ}C$	0.1		nA
			$T_{MIN} \leq T_A \leq T_{MAX}$			1
Response Time	t_R	$R_L=5.1k\Omega$ to V_{CC} (Note 5)		1.3		μs
Large Signal Response Time	t_{REL}	$V_{IN}=TTL, V_{REF}=+1.4V, R_L=5.1K\Omega \sim V_{CC}$		300		ns

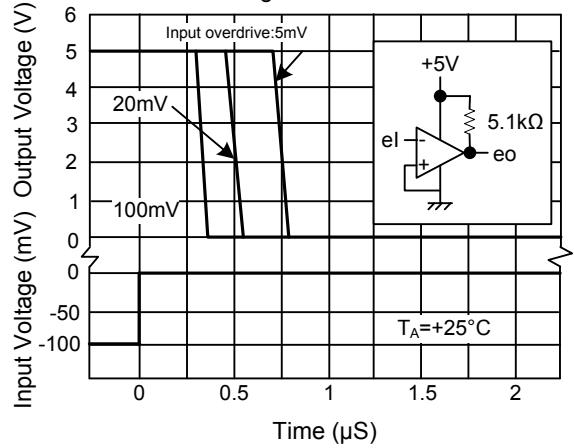
- Notes: 1. At output switch point, $V_o=1.4V$, $R_s=0\Omega$ with V_{CC} from 5V ~ 30V and over the full input common-mode range (0V ~ $V_{CC} 1.5V$).
 2. The direction of the input current is out of the IC due to the PNP input stage. This current is essentially constant, independent of the state of the output, so no loading charge exists on the reference or input lines.
 3. The input common-mode voltage of either input signal voltage should not be allowed to go negative by more than 0.3V. The upper end of the common-mode voltage range is $V_{CC} + -1.5V$, but either or both inputs can go to +30V without damage.
 4. Positive excursions of input voltage may exceed the power supply level. As long as the other voltage remains within the common-mode range the comparator will provide a proper output state. The low input voltage state must not be less than -0.3V (or 0.3V below the negative power supply, if used).
 5. The response time specified is for a 100mV input step with 5mV overdrive. For larger overdrive signals 300ns can be obtained.

TYPICAL CHARACTERISTICS

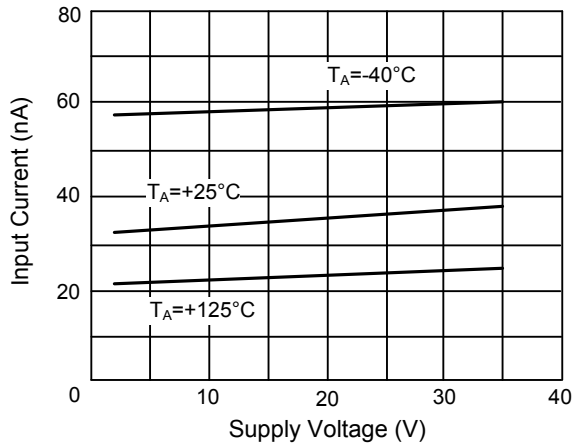
Supply Current vs. Supply Voltage



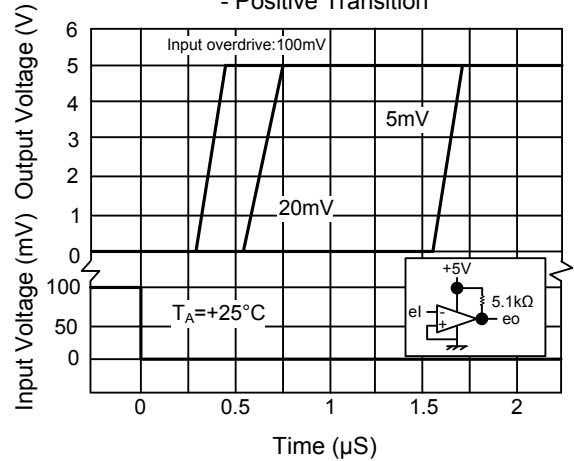
Response Time for vs. Input Overdrives - Negative Transition



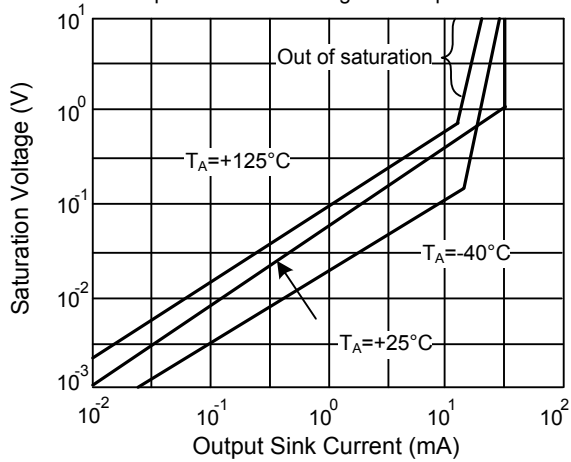
Input Current vs. Supply Voltage



Response Time for vs. Input Overdrives - Positive Transition



Output Saturation Voltage vs. Output Current



UTC assumes no responsibility for equipment failures that result from using products at values that exceed, even momentarily, rated values (such as maximum ratings, operating condition ranges, or other parameters) listed in products specifications of any and all UTC products described or contained herein. UTC products are not designed for use in life support appliances, devices or systems where malfunction of these products can be reasonably expected to result in personal injury. Reproduction in whole or in part is prohibited without the prior written consent of the copyright owner. The information presented in this document does not form part of any quotation or contract, is believed to be accurate and reliable and may be changed without notice.